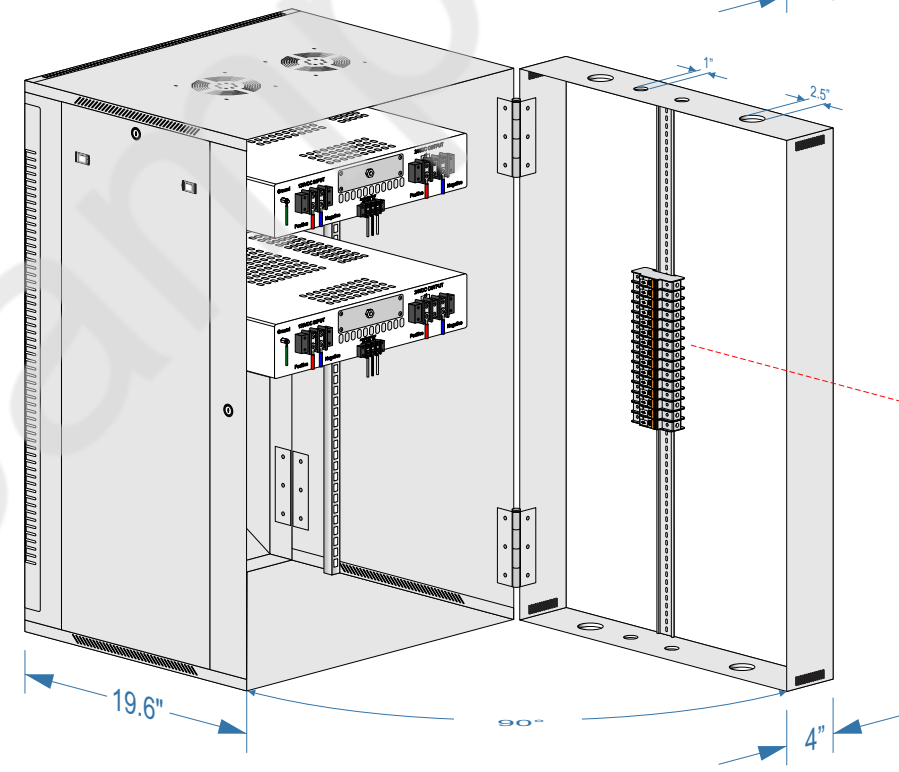
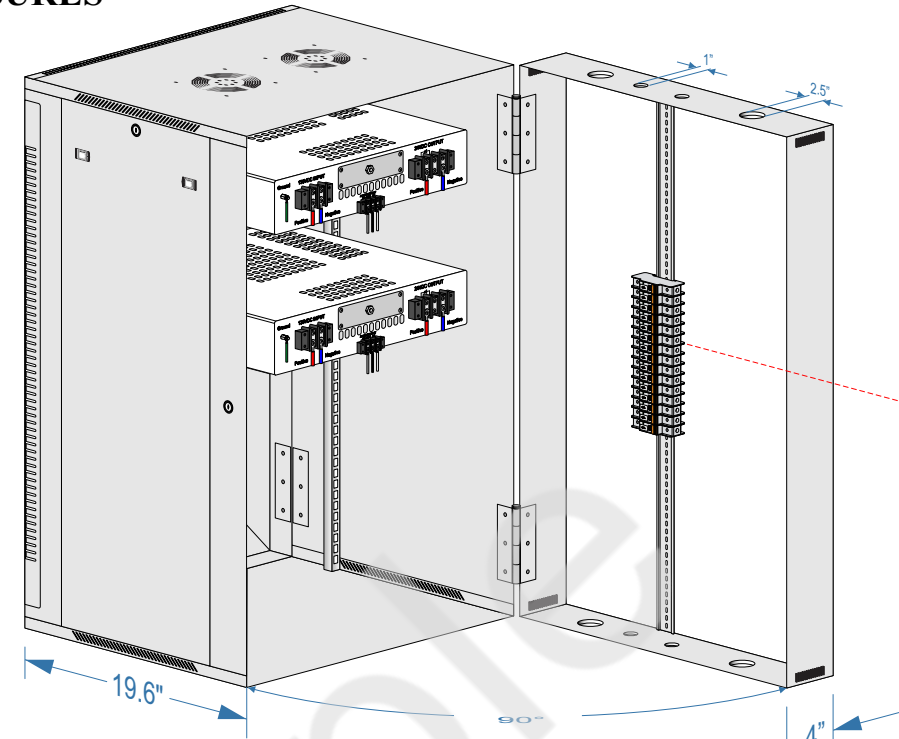
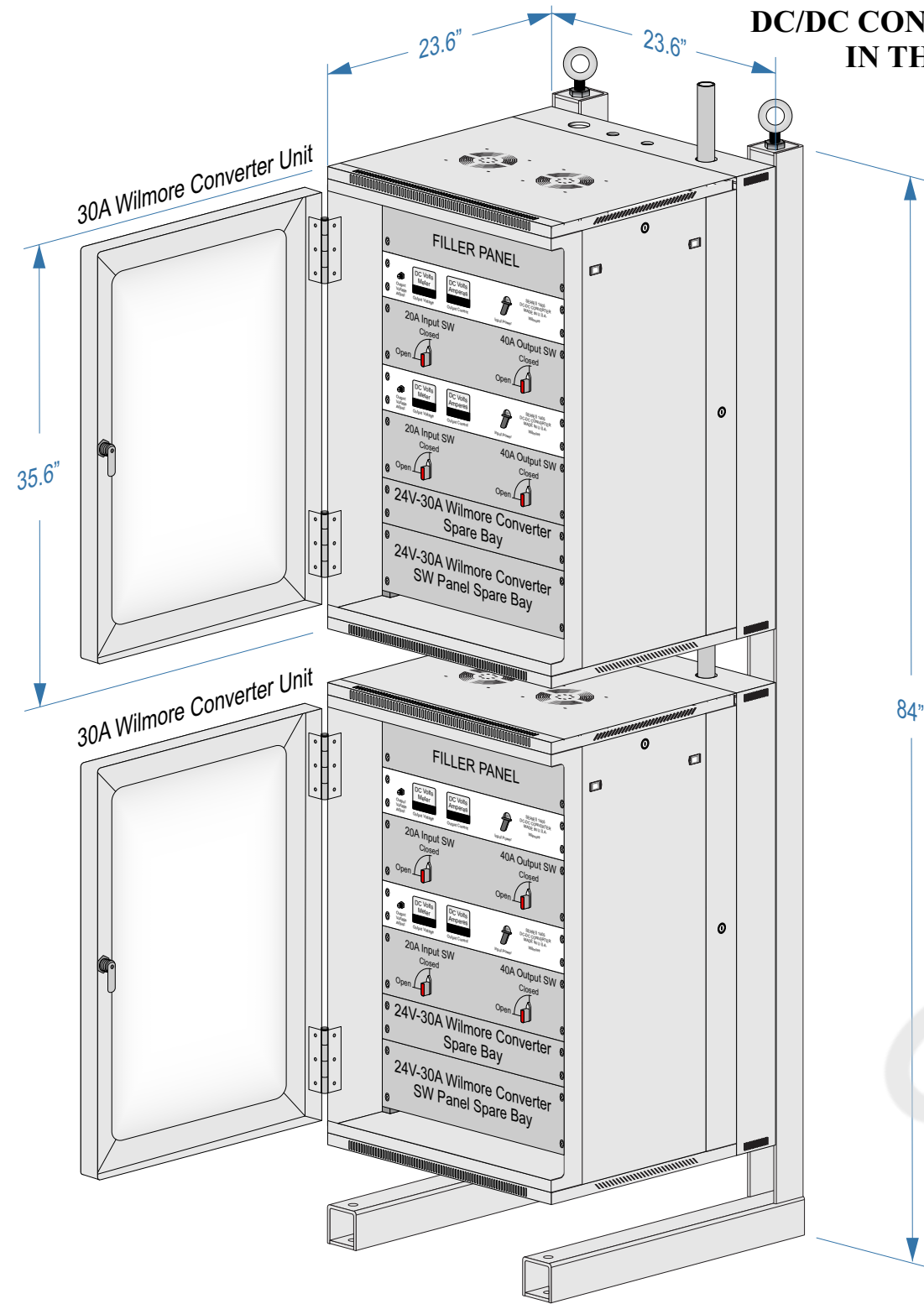
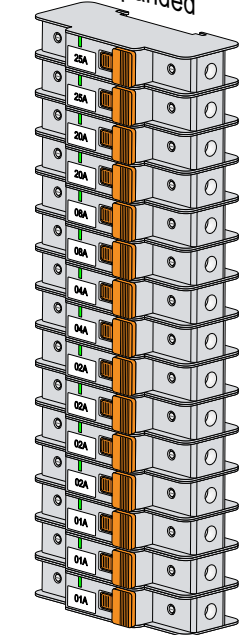


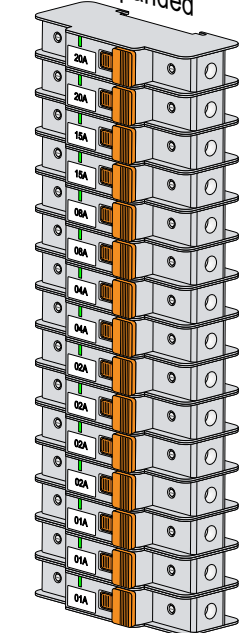
DC/DC CONVERTERS INSTALLED IN THE ENCLOSURES



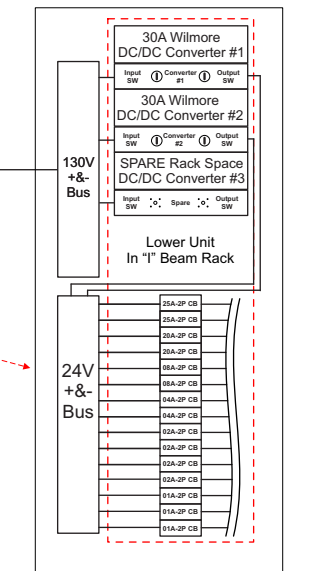
Din Rail Breakers Expanded



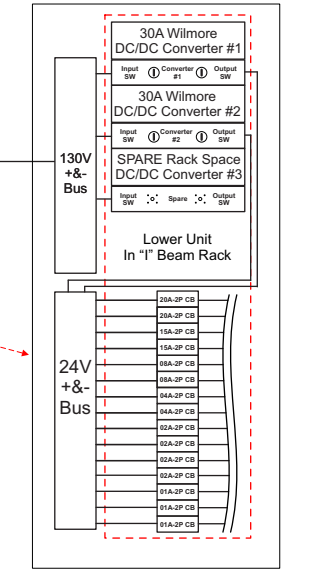
Din Rail Breakers Expanded



WAVENET DC/DC Converter Enclosure Hinged Back Panel Breakers



WAVENET DC/DC Converter Enclosure Hinged Back Panel Breakers



PERFORMANCE SPECIFICATIONS		PARTS LIST	
Compliance	ANSI/EIA RS-310D	#10-32 screws	24 sets
	IEC60297-2	Anchoring bolts	4 pcs
	DIN41494;PART 1	Keys	2 pcs
	DIN41494;PART 7	Preinstalled 68CFM Fan	1 pc
Material	SPCC cold rolled steel		
	14GA - rails		
	16GA - cabinet		
	18GA - doors		
Loading Capacity	130 lbs static loading		
SHIPPING INFORMATION			
Part Number	Ctn size (in)	Ctn Weight(lbs)	
CBTF-WM18U-SW-1032	24.8*24.8*36.8	83.6	
Unit Dimensions:WxDxH inches(mm)	23.6x23.6x35.6(600x600x903)		

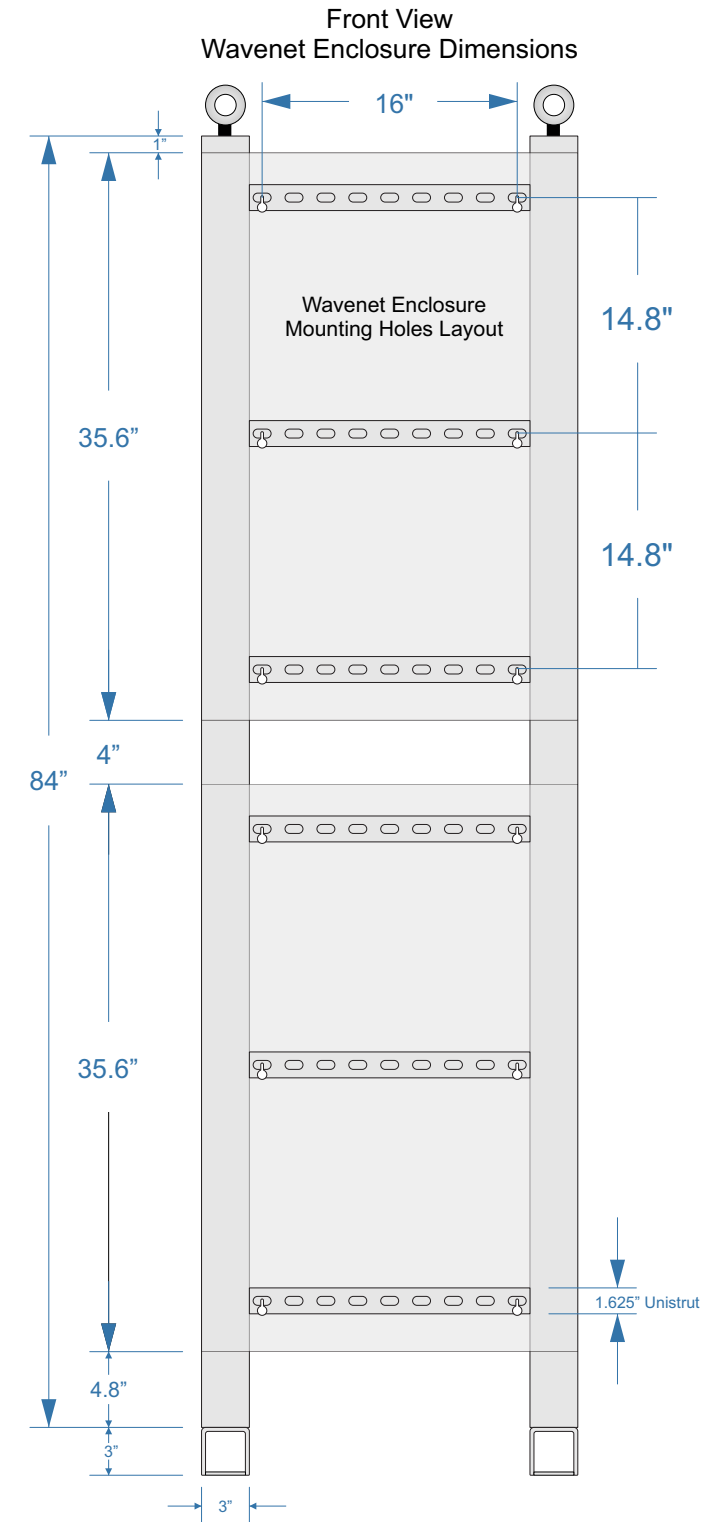
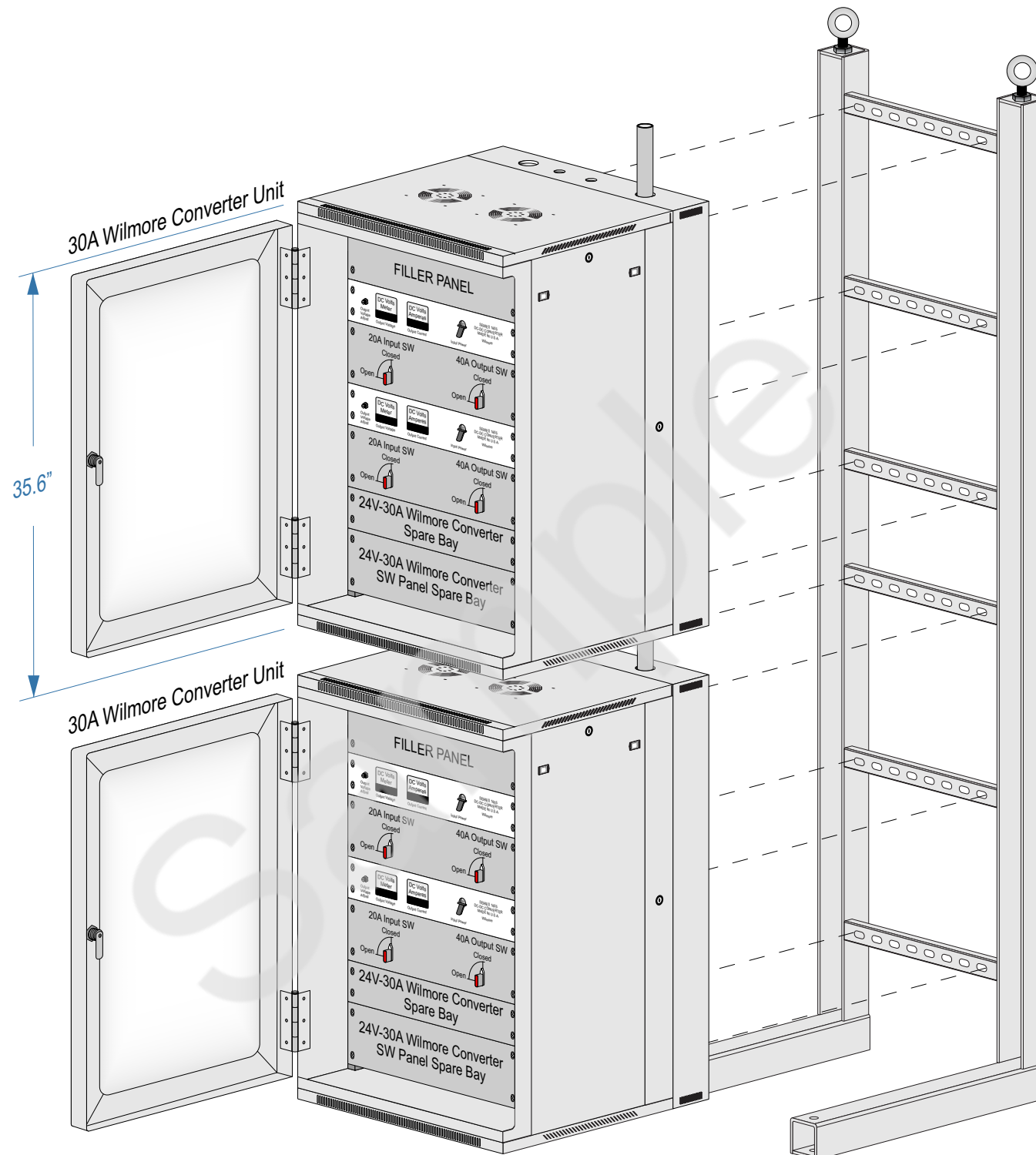
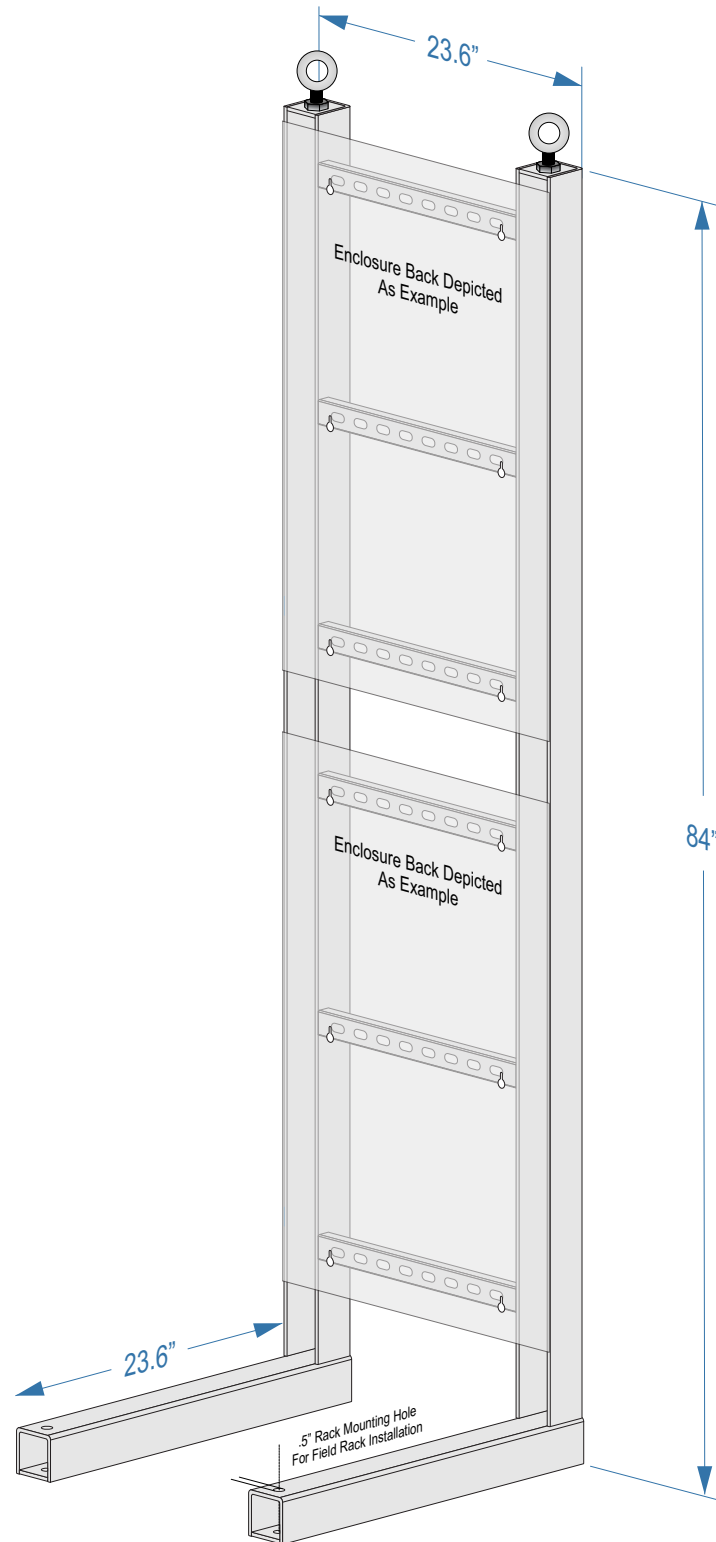
STANDBY ENERGY
14134 CASTOR ST.
TOMBALL, TX 77375

Project Name	
Rack Mount 30/30 24V DC/DC Converters	
DRAWING # Q# Rev-0	
SCALE: NTS	SHEET: 1 of 4

**DC/DC CONVERTERS
"C" CHANNEL RACK**

**DC/DC CONVERTERS
IN "C" CHANNEL RACK**

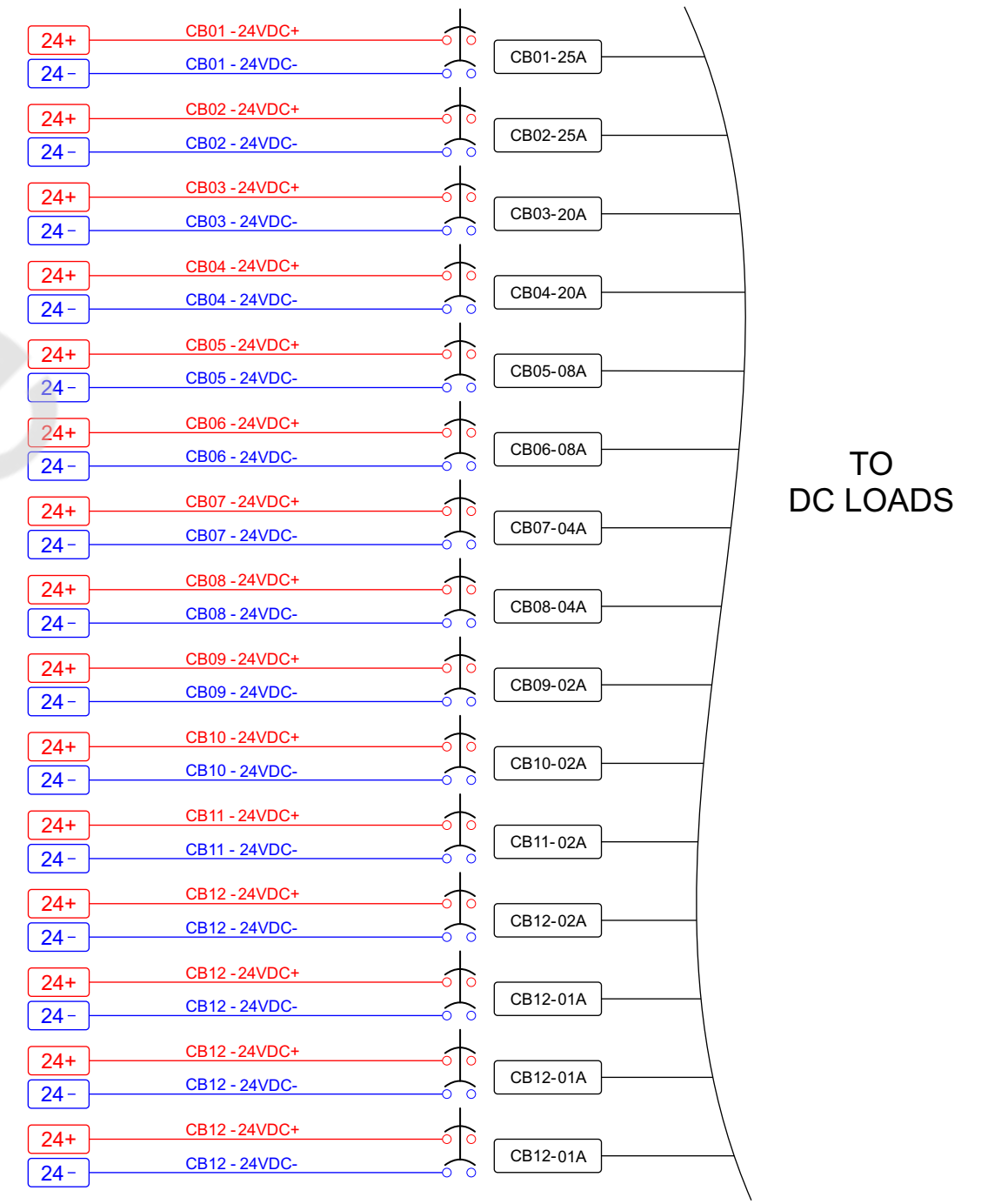
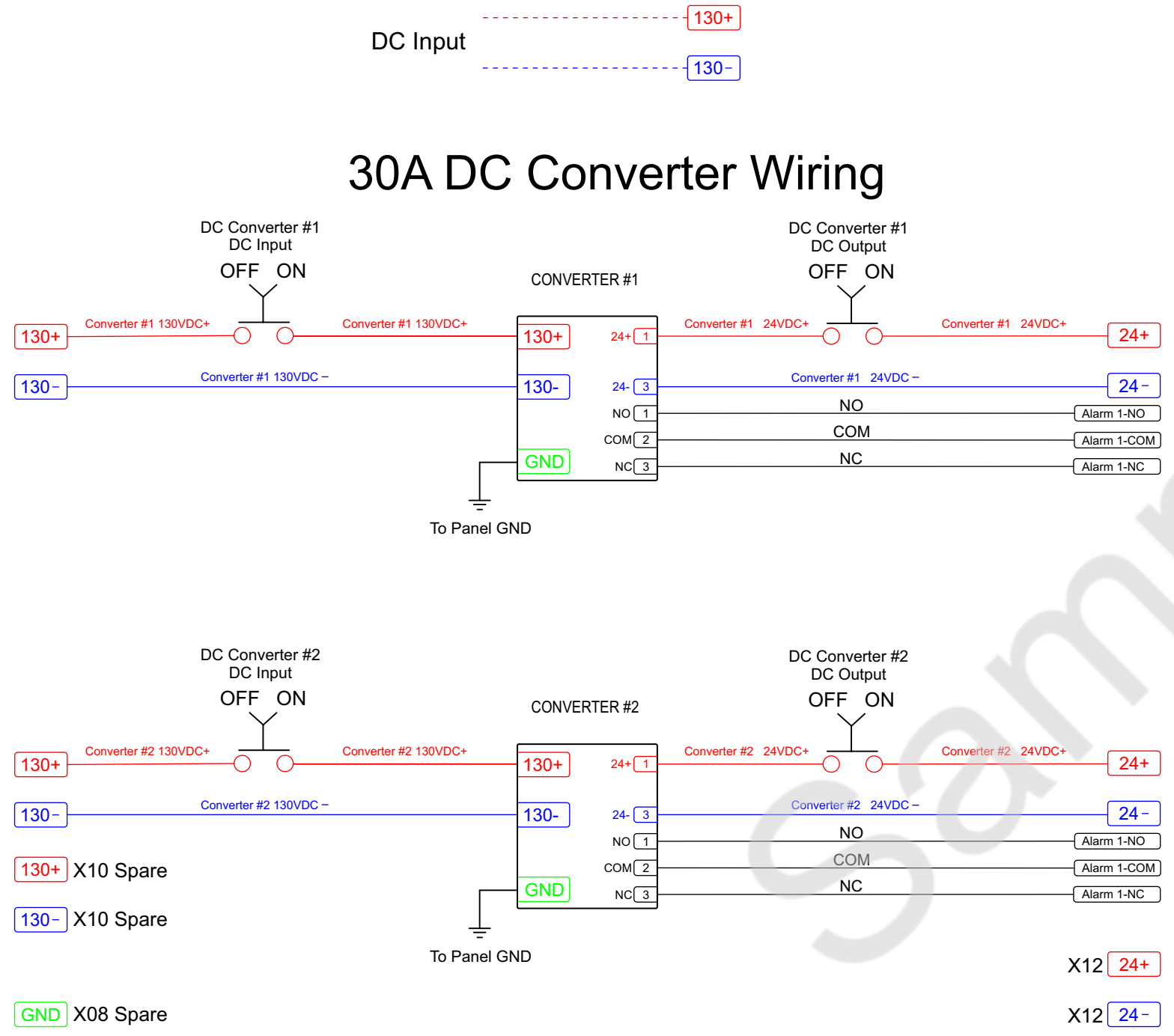
REVISIONS	
REV-NR	04/13/2021



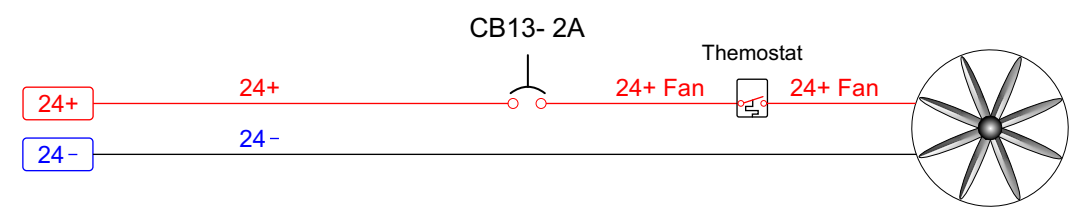
STANDBY ENERGY
14134 CASTOR ST.
TOMBALL, TX 77375

Project Name	
Rack Mount 30/30 24V DC/DC Converters	
DRAWING # Q# Rev-0	
SCALE: NTS	SHEET: 2 of 4

Upper DC/DC Converter Unit 30A DC Input Wiring



Cabinet Fan Wiring

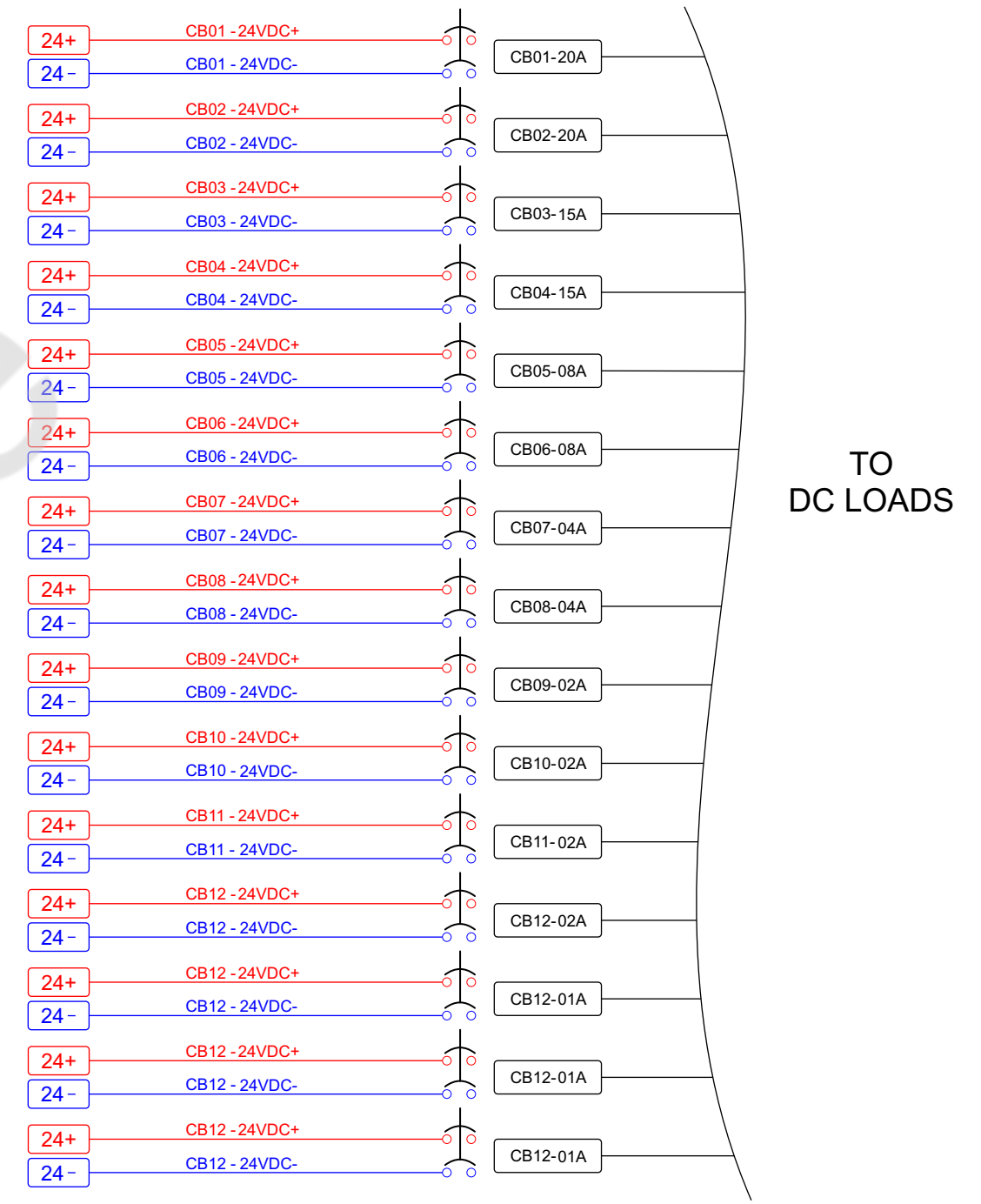
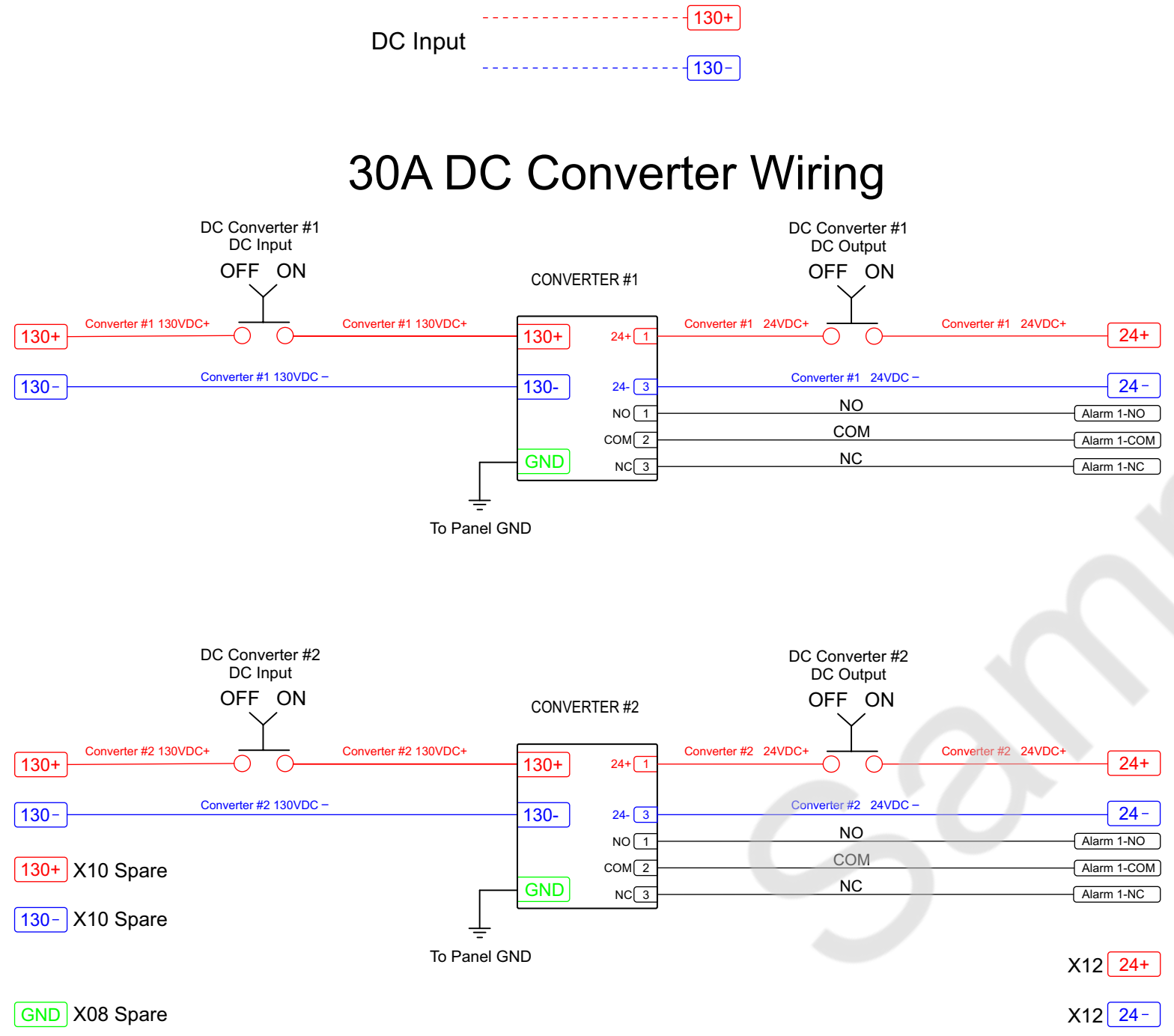


<p>STANDBY ENERGY 14134 CASTOR ST. TOMBALL, TX 77375</p>	Project Name	
	Rack Mount 30/30 24V DC/DC Converters	
	DRAWING # Q# Rev-0	
	SCALE: NTS	SHEET: 3 of 4

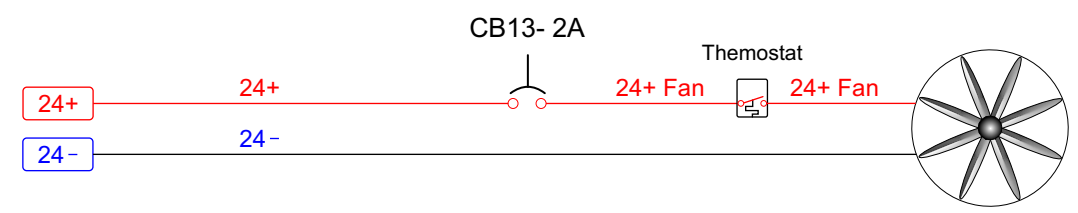
Lower DC/DC Converter Unit 30A DC Input Wiring

REVISIONS	
REV-NR	04/13/2021

30A DC Converter Wiring



Cabinet Fan Wiring



<p>STANDBY ENERGY 14134 CASTOR ST. TOMBALL, TX 77375</p>	Project Name	
	Rack Mount 30/30 24V DC/DC Converters	
	DRAWING # Q# Rev-0	
	SCALE: NTS	GCR