



# ISFX160



## Circulation Equipment

Inline Duct Fan manufactured for use in Class I, Division 2, groups B/C/D hazardous (classified) locations with an operating temperature code of T3 (320°F/160°C)

### FEATURES:

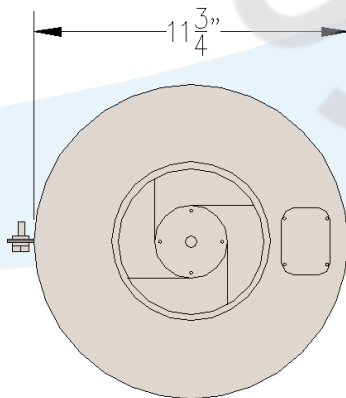
- \* Certified by Intertek (bearing the ETL mark) for compliance to both Canadian and US applicable codes and standards
- Suitable for indoor and outdoor use
- Mounting bracket furnished for indoor or outdoor installation
- 115 volts AC, single phase, 60 Hz power requirements
- Spark resistant construction
- ½" NPT conduit connection for easy power wiring
- Can be used with or without circular duct
- Functions as supply or exhaust fan
- Limited stock available for shorter lead time

### APPLICATIONS:

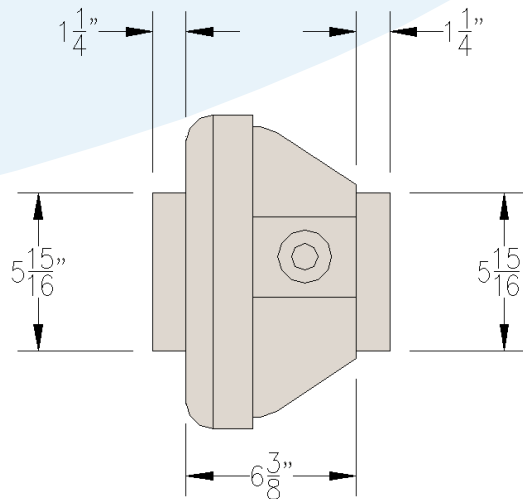
- Small control cabinets
- Lavatory ventilation
- Sewage treatment plants



END VIEW



SIDE VIEW



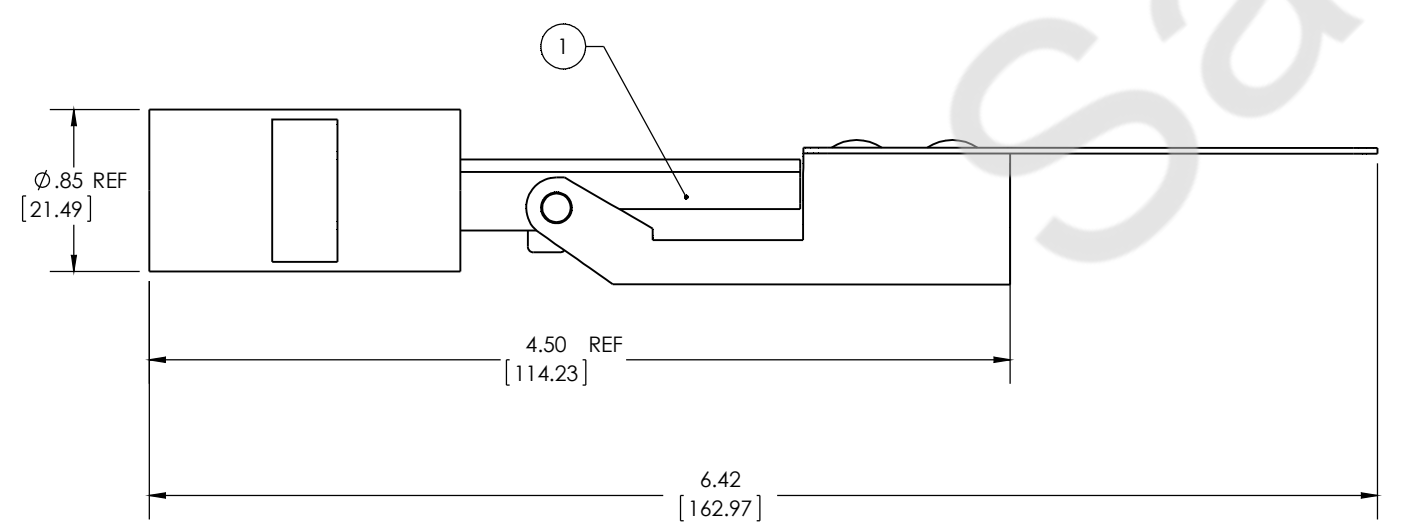
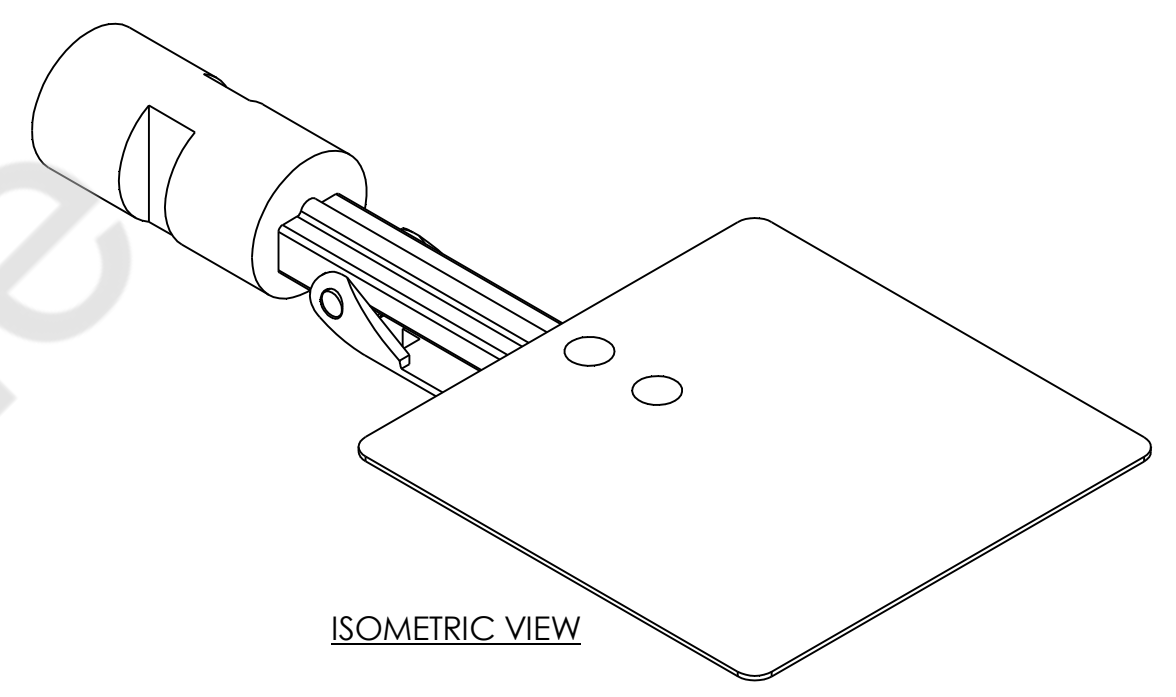
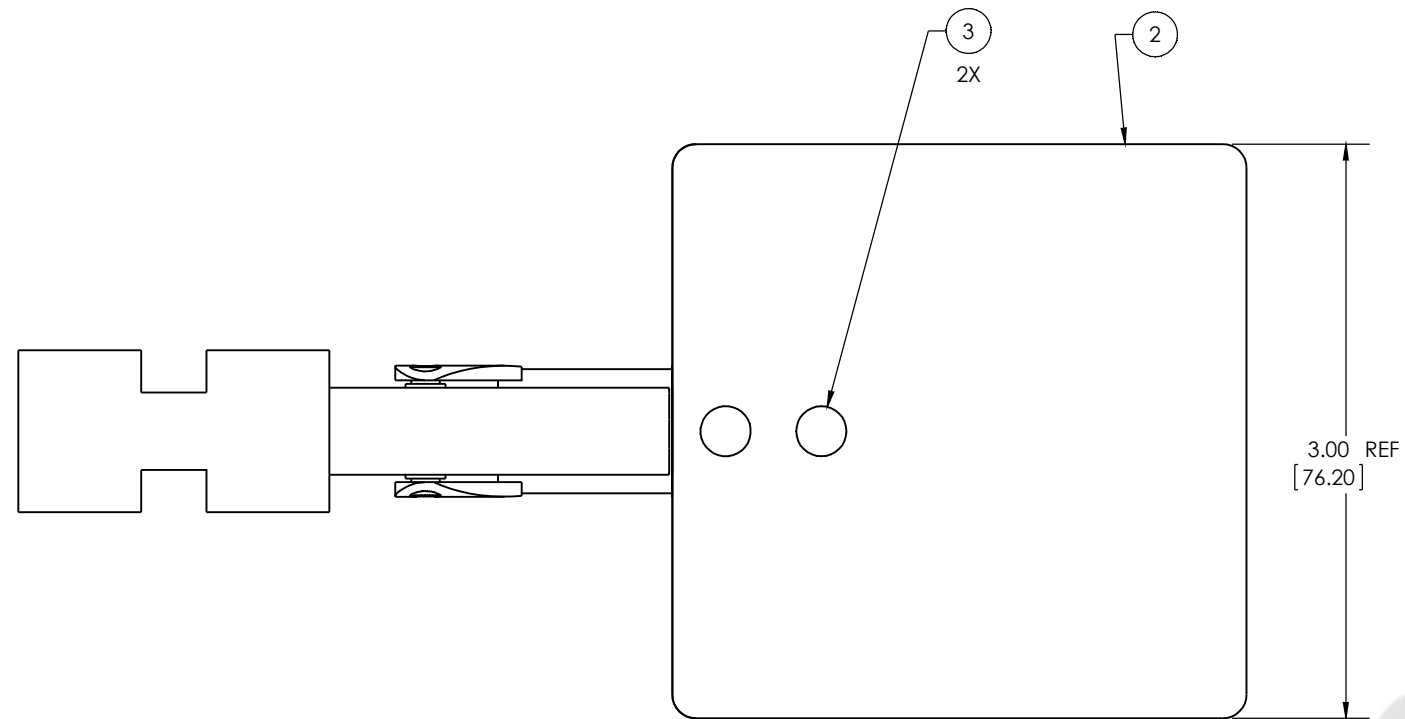
\*Performance is based on ducted outlet.

ISFX160	CIRC	Unit Weight (lbs)	Unit Weight (kg)	Duct Size	Volts - Phase	Rated Watts	Max Amps	RPM	* Air Flow (CFM) at Static Pressure (IN W.C.)
20			9	6"	115-1	129	1.14	2750	0.0
								289	0.2
								260	0.4
								233	0.6
								206	0.8
								179	1.0
								154	1.5
								89	

SHIELD AIR SOLUTIONS, INC. • 3708 GREENHOUSE ROAD • HOUSTON, TEXAS 77084 • 281.944.4300 •



\*Certification may not apply to all optional configurations. Please contact our Technical Sales department for more information  
 This document was last edited on 04/14/2016  
 Availability and information is subject to change without notice.  
 Marc Climatic Controls and Birdwell are product lines of Shield Air Solutions, Inc. All rights reserved



ITEM NO.	PART NUMBER	DESCRIPTION	QTY.
3	100925	RVT,BLIND-1/8X0.212,ALUM	2
2	207270	PL,SAIL,AIR FLOW,3X3,ALUM	1
1	107308	SW,AIR FLOW,HERMETICALLY SEALED	1

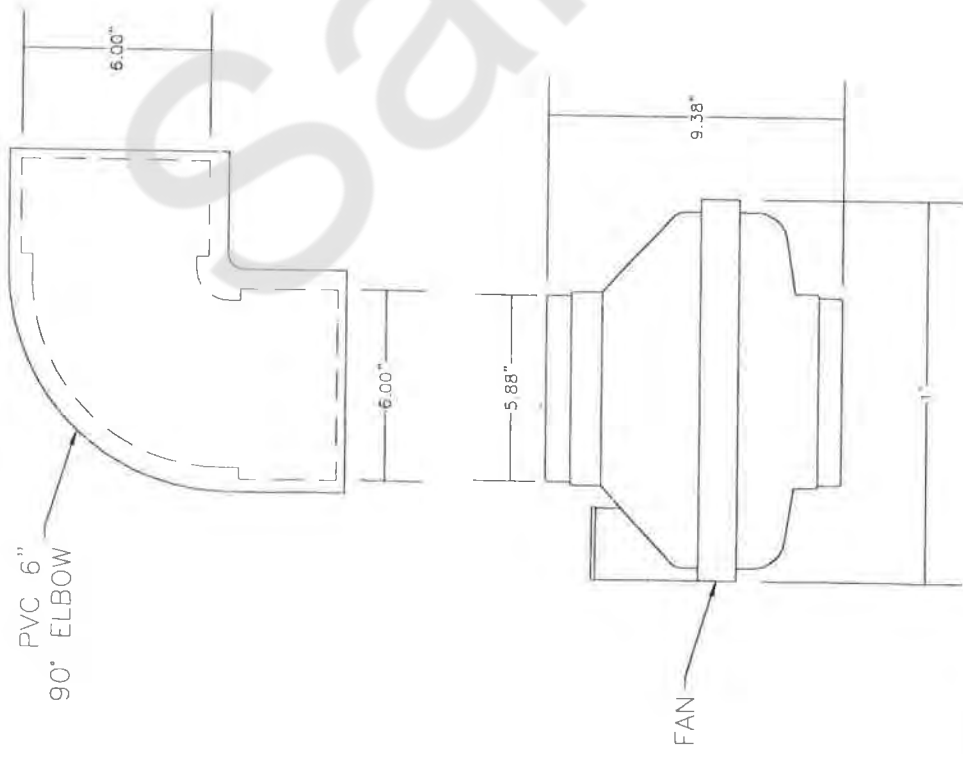
**NOTES:**  
 1. USE DIMENSIONS SHOWN - DO NOT SCALE DRAWING.  
 2. REMOVE ALL BURRS AND SHARP EDGES.  
 3. ISOMETRIC VIEW IS FOR REFERENCE ONLY.  
 4. ALL DIMENSIONS IN BRACKETS ARE IN MILLIMETERS.

REV	DESCRIPTION	NAME	DATE
00	INITIAL RELEASE	GAL	07/02/14

**PROPRIETARY AND CONFIDENTIAL**  
 THE INFORMATION CONTAINED IN THIS DRAWING IS THE SOLE PROPERTY OF SHIELD AIR SOLUTIONS, INC. ANY REPRODUCTION IN PART OR AS A WHOLE WITHOUT THE WRITTEN PERMISSION OF SHIELD AIR SOLUTIONS, INC. IS PROHIBITED.

**UNLESS OTHERWISE SPECIFIED:**  
 DIMENSIONS ARE IN INCHES  
**TOLERANCES:**  
 FRACTIONAL ± 1/16"  
 ANGULAR BEND ± 1°  
 TWO PLACE DECIMAL ± .06  
 THREE PLACE DECIMAL ± .003

<b>SHIELD AIR SOLUTIONS, INC.</b>			
CUSTOMER:	PO. NO:	WO. NO:	DESCRIPTION: SW,AIR FLOW-SAIL,ASSY
LOCATION:	DESIGN: GAL	07/02/14	MATERIAL: N/A
MODEL NO:	DRAWN: GAL	07/02/14	THICKNESS:
	APPR: DSD	06/17/16	FINISH:
	SCALE: 1:1	SHEET 1 OF 1	DRAWING NO: 207280
			REV 00

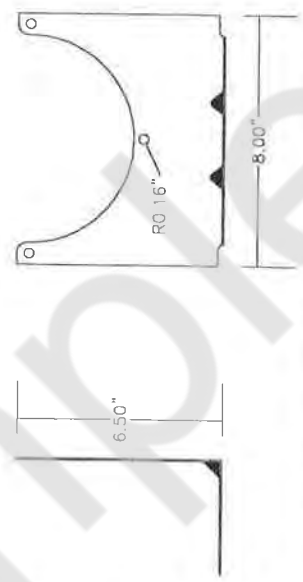


### MOUNTING BRACKET

SIDE VIEW

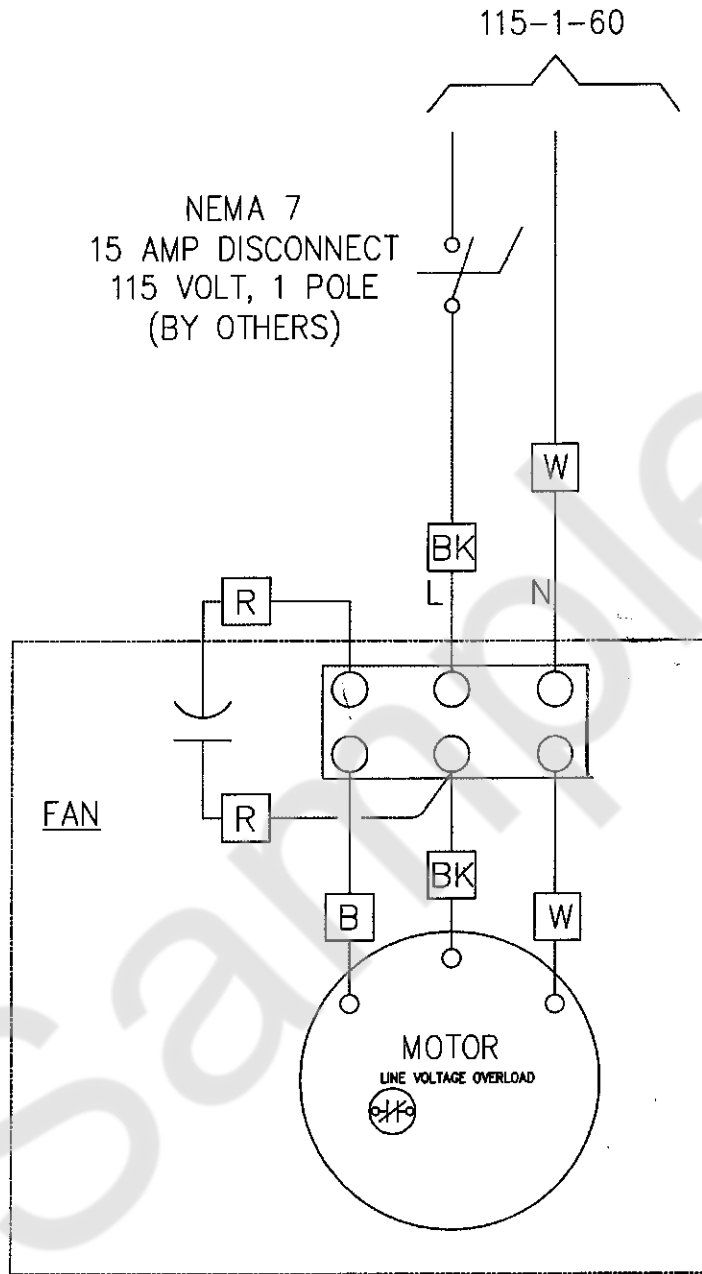
FRONT VIEW

TOP VIEW



REV	INITIAL RELEASE	DESCRIPTION	NAME	DATE	SCALE	SHEET	TOTAL
00		<p>PROPRIETARY AND CONFIDENTIAL</p> <p>THE INFORMATION CONTAINED IN THIS DRAWING IS THE SOLE PROPERTY OF SHIELD AIR SOLUTIONS, INC. ANY REPRODUCTION IN PART OR AS A WHOLE WITHOUT THE WRITTEN PERMISSION OF SHIELD AIR SOLUTIONS, INC. IS PROHIBITED.</p>	MS	02/19/16	1:1	1	1
<p>UNLESS OTHERWISE SPECIFIED, DIMENSIONS ARE IN INCHES. TOLERANCES:</p> <p>FRACTIONAL ±1/16"</p> <p>ANGULAR BEND ±1°</p> <p>TWO PLACE DECIMAL ±.04</p> <p>THREE PLACE DECIMAL ±.003</p>			MS	02/19/16		2	2
<p>SHIELD AIR SOLUTIONS, INC.</p>			MS	02/19/16		3	3
<p>DESCRIPTION: METROPOLITAN MECH.</p> <p>LOCATION: STANDFORD</p> <p>MODEL NO: ISFX1.60</p>			MS	02/19/16		4	4
<p>PO. NO: 144773</p> <p>WO. NO: 5435023</p> <p>DESCRIPTION: ISFX1.60 STRUCTURAL LAYOUT</p>			MS	02/19/16		5	5
<p>CUSTOMER: METROPOLITAN MECH.</p>			MS	02/19/16		6	6
<p>NAME: MS</p> <p>DATE: 02/19/16</p> <p>MATERIAL: ISFX1.60</p>			MS	02/19/16		7	7
<p>THICKNESS:</p>			MS	02/19/16		8	8
<p>FINISH:</p>			MS	02/19/16		9	9
<p>DRAWING NO: 404851</p>			MS	02/19/16		10	10

NOTES:



CLASS 1, DIVISION 2, GROUPS B, C & D

NOTES:  
SEE 200087 FOR CONSTRUCTION DETAILS

REV	DESCRIPTION	NAME	DATE	SHIELD AIR SOLUTIONS, INC.							
02	REVISED PER ECO 14-185	BRD	04/04/14	CUSTOMER:	PO. NO:	WO. NO:	DESCRIPTION: ISFX160-115/1/60 ELECTRICAL DIA				
PROPRIETARY AND CONFIDENTIAL THE INFORMATION CONTAINED IN THIS DRAWING IS THE SOLE PROPERTY OF SHIELD AIR SOLUTIONS, INC. ANY REPRODUCTION IN PART OR AS A WHOLE WITHOUT THE WRITTEN PERMISSION OF SHIELD AIR SOLUTIONS, INC. IS PROHIBITED				UNLESS OTHERWISE SPECIFIED: DIMENSIONS ARE IN INCHES TOLERANCES: FRACTIONAL $\pm 1/16"$ ANGULAR BEND $\pm 1^\circ$ TWO PLACE DECIMAL $\pm .06$ THREE PLACE DECIMAL $\pm .003$		LOCATION:	NAME	DATE	MATERIAL:	THICKNESS:	
				MODEL NO: ISFX160-116	DRAWN: MBG	02/06/14	APPR: BR	03/10/14	FINISH:	DRAWING NO: 400208	REV 02
				SCALE: 1:1	SHEET 1 OF 1						