

MORE POWER - LESS SPACE™



unigy I

12AVR75 12AVR100

- **Exclusive IPF™ technology optimizes power capacity, cell consistency, and long-term reliability**
- Space saving Absorbed Glass Mat (AGM) construction (48 volt system fits in 23" racks)
- Reinforced case resists bulging and meets safety requirements (UL94 V-0)
- Computer-aided design and manufacturing control processes and standards to ensure quality products
- All batteries meet or exceed IEEE 485 and Telcordia capacity requirements
- Battery design and construction meet UL recognition requirements
- I.C.A.O., I.M.D.G., I.A.T.A., and D.O.T. air transport approved



QUALITY SYSTEM
CERTIFIED
ISO 9001
ISO/TS 16949
ENVIRONMENTAL
SYSTEM CERTIFIED
ISO 14001

SPECIFICATIONS

Nominal Voltage: 12-Volt/70.6 & 94.1 ampere-hours @ 8 hr. rate to 1.75 final volts/cell

Positive Plate: Pure lead, low-calcium, high-tin alloy

Negative Plate: Lead Calcium Alloy

Post Seal: Epoxy-sealed

Terminal: Inserted post, 1/4" x 20 brass insert

Container/Cover: Flame-retardant, polypropylene - UL 94 V-0/>28% L.O.I.

Safety Vent: Low positive pressure, self-sealing w/ flame arrestor

Float Voltage: 2.25 volts per cell ± 0.01 vpc (Range: 13.44 to 13.56 volts per 6-cell unit)

Battery Life: 5 years in float applications at 77°F/25°C

Dimensions & Weight: Noted on back

12AVR75 RATINGS IN AMPS @ 77°F

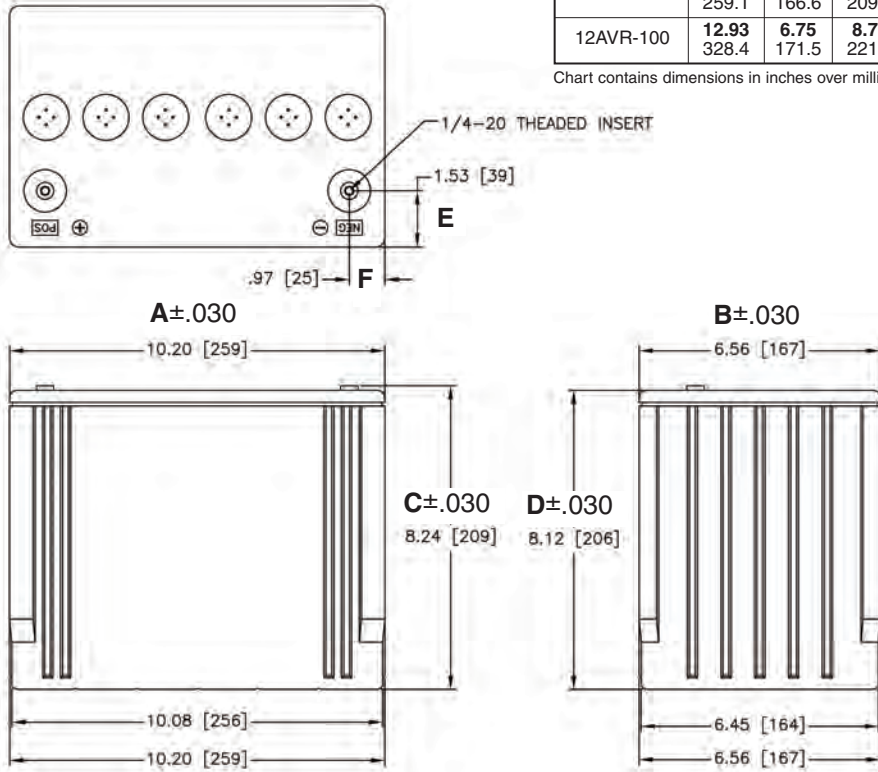
Volts Per Cell (V.P.C.)	1 HR.	3 HR.	5 HR.	8 HR.	10 HR.	12 HR.	20 HR.	24 HR.
1.75	51.4	20.8	13.4	8.8	7.2	6.1	3.8	3.2
1.80	50.8	20.6	13.3	8.8	7.2	6.1	3.8	3.2
1.85	49.6	20.3	13.1	8.6	7.1	6.0	3.7	3.2
1.88	46.6	19.2	12.4	8.3	6.8	5.8	3.6	3.1
1.90	45.2	18.4	11.9	7.9	6.5	5.5	3.4	2.9

12AVR100 RATINGS IN AMPS @ 77°F

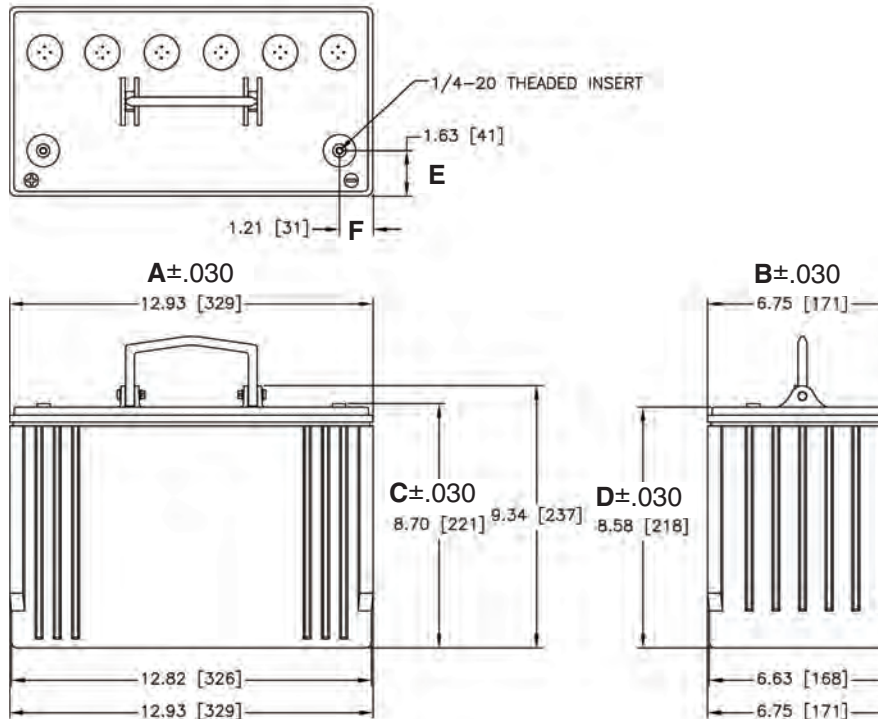
Volts Per Cell (V.P.C.)	1 HR.	3 HR.	5 HR.	8 HR.	10 HR.	12 HR.	20 HR.	24 HR.
1.75	68.5	27.8	17.9	11.8	9.6	8.2	5.1	4.3
1.80	67.8	27.5	17.7	11.7	9.6	8.1	5.1	4.3
1.85	66.2	27.0	17.4	11.5	9.4	8.0	5.0	4.2
1.88	62.2	25.6	16.6	11.0	9.0	7.7	4.8	4.1
1.90	60.3	24.6	15.9	10.5	8.6	7.3	4.6	3.9

BATTERY	A	B	C	D	E	F	WEIGHT
12AVR-75	10.20 259.1	6.56 166.6	8.24 209.3	8.12 206.2	1.53 38.9	.97 24.6	55 25.0
12AVR-100	12.93 328.4	6.75 171.5	8.70 221.0	8.58 217.9	1.75 44.5	1.21 30.7	72 32.6

Chart contains dimensions in inches over millimeters or pounds over kilograms.



12AVR75



12AVR100



"POWERED FOR PERFORMANCE"®
EAST PENN manufacturing co., inc.

Lyon Station, PA 19536-0147 • Phone: 610-682-6361 • Fax: 610-682-4781
Order Department Hotline: 610-682-3263
 www.eastpennunigy.com • e-mail: sales@eastpennunigy.com