



unigy I

12AVR170ET

- Front access design for easy installation and maintenance
- Space saving Absorbed Glass Mat (AGM) construction (48 volt system fits in 23" racks)
- Individual plate formation optimizes cell voltage balance and performance
- Reinforced case resists bulging and meets safety requirements (UL94 V-0)
- Computer-aided design and manufacturing control processes and standards to ensure quality products
- All batteries meet or exceed IEEE 485 and Telcordia capacity requirements.
- Battery design and construction meet UL recognition requirements



SPECIFICATIONS

Nominal Voltage: 12-Volt/170 ampere-hours @ 8 hr. rate to 1.75 final volts/cell

Positive Plate: Pure lead, low-calcium, high-tin alloy

Negative Plate: Lead calcium alloy

Post Seal: Epoxy-sealed

Terminal: Front access, 1/4" - 20 threaded insert

Container: Flame-retardant, polypropylene - UL 94 V-0/>28% L.O.I.

Safety Vent: Low positive pressure, self-sealing w/ flame arrestor

Float Voltage: 2.25 volts per cell \pm 0.01 vpc (Range: 13.44 to 13.56 volts per 6-cell unit)

Battery Life: 10 years in float applications at 77°F/25°C

Dimensions: 22.00" (558.8 mm) L x 4.90" (124.5 mm) W x 12.60" (320 mm) H

Weight: 120 lbs. (54.4 kg)

DISCHARGE RATE IN AMPS[†] @77°F

Volts Per Cell (V.P.C.)	1 HR.	3 HR.	5 HR.	8 HR.	10 HR.	12 HR.	20 HR.	24 HR.
1.75	108	46.1	30.8	21.2	17.4	14.8	9.38	7.96
1.80	103	45.3	30.3	20.9	17.2	14.6	9.25	7.84
1.85	94.4	43.4	29.2	20.2	16.6	14.1	8.93	7.56
1.88	88.0	41.3	27.9	19.4	15.9	13.5	8.56	7.25
1.90	83.1	39.5	26.8	18.6	15.3	13.0	8.22	6.96

[†] Subject to change without notice.



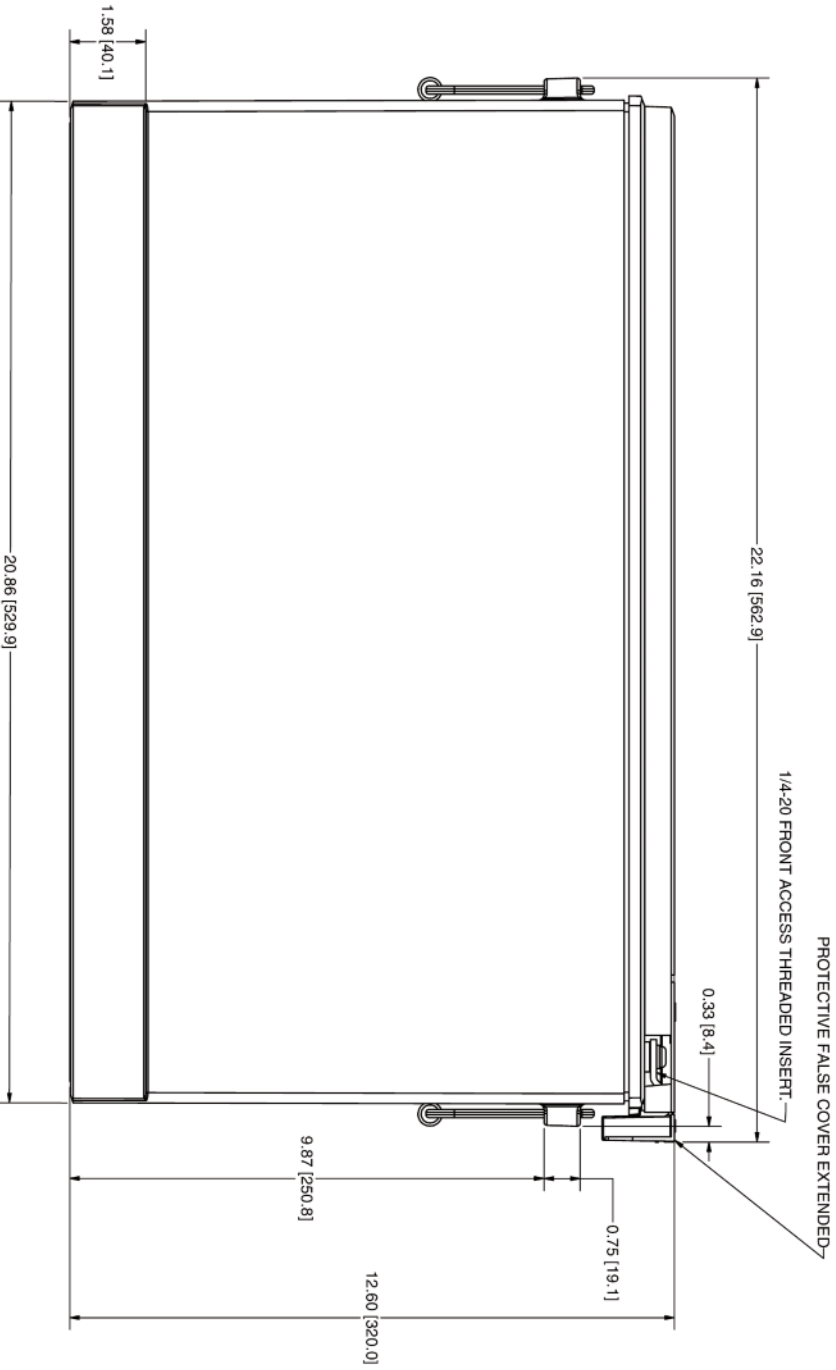
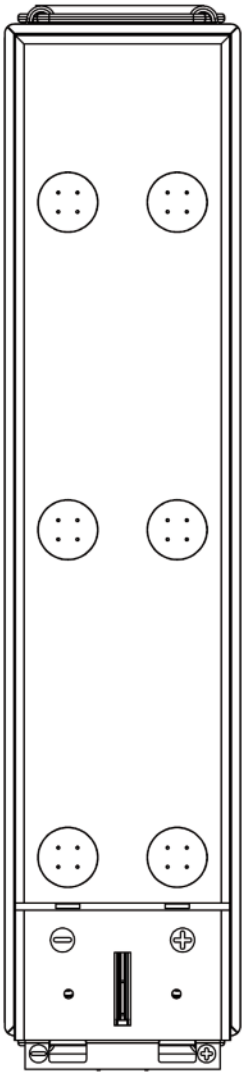
UL Recognized Component



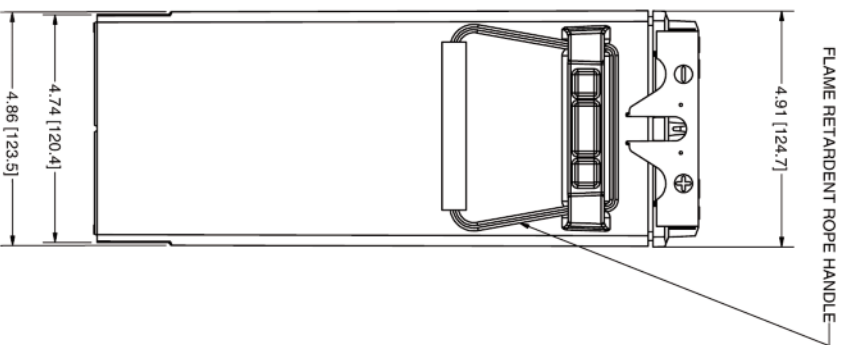
East Penn Manufacturing Co., Lyon Station, PA 19536-0147
Domestic & International Inquiries Call: 610-682-3263
Phone: 610-682-6361 • Fax: 610-682-0891
www.eastpennunigy.com • e-mail: sales@eastpennunigy.com

QUALITY SYSTEM
CERTIFIED TO
ISO 9001
ISO/TS 16949
ISO 14001

All data subject to change without notice. No part of this document may be copied or reproduced, electronically or mechanically, without written permission from the company.



PROTECTIVE FALSE COVER EXTENDED
1/4-20 FRONT ACCESS THREADED INSERT



FLAME RETARDENT ROPE HANDLE